

19.0" Daylight Glass Bridge Display[®]

Electrical Description

Display Characteristics:

Type: 19.0" Active Matrix TFT
Dot Number: 1280 x 1024 Pixels
Dot Pitch: 0.294mm
Response Time: 12ms Average- Typical
Contrast Ratio: 700:1 Min.
Brightness / Light Intensity: Enhanced to 400cd/m² (Nits)- Typical
Viewing Angles (at CR>10): 75° Left/Right, 75° Up & 60° Down
Backlight Life: 50,000 Hours- Typical
Colour Depth: 16.7 Million (Depending on Graphics Card)

Dimming Circuit:

Range: Full on to 2 cd/m² (Nits)- Approx. w/Red

DVI-I Input:

Analog Interface: 330 MHz Max. Analog Bandwidth
0.5V to 1.0V Analog Input Range
Sync-on-Green (-ve) 0.3V

Digital Interface: DVI 1.0 Compatible Interface
108 MHz Operation

Synchronisation Range:

Horizontal Scan: 31 - 80 kHz*
Vertical Scan: 56 - 85 Hz*
**Depending on resolution*

Resolutions:

VESA Support for: 1280 X 1024 SXGA*
1024 x 768 XGA
800 x 600 SVGA
640 x 480 VGA

**Recommended for optimised resolution...*

Active Display Area:

Active Display Area: 376.24 mm x 301.63 mm

Composite Video Input:

PAL, NTSC & SECAM with 'Picture In Picture' PIP Facility

Input Voltage:

DC Input: 12.4V DC Regulated
Via external power supply - Refer to ordering codes...

Power Consumption:

3.0A (38 W) Max.

Environmental:

*Operating Temp: 32 to +131°F / 0 to +55°C
Storage Temp: -4 to +140°F / -20 to +61°C
Operating Humidity: 30% to 90% (Non-Condensing)
Storage Humidity: 10% to 90% (Non-Condensing)
Shock: 10g, 11msec ½ Sine Wave
Vibration: +/-1mm, 2 to 13Hz: 0.7g 13 to 100 Hz

**We DO NOT recommend routine operation @ extreme temperatures...*

Mechanical Description

Construction:

Finish: Black Fine Textured Semi Gloss Powder Coat
Housing: Preformed Aluminium
Sealing: Waterproof NEMA 6 / IP67
Toughened Safety Glass: Bonded, Contrast Enhancing, Optically Coated and Polarized
Ventilation: Convection

Mounting Style:

Console/Flush Mount: Via Adjustable Fixing Brackets Which Locate in Machined Slots Positioned Around the Housing
Panel Cut-Out Size (mm): 16 1/2" (419.10) x 13 15/32" (342.11)

Dimensions:

Display (mm): 16 3/4" (425.45) W x
13 13/16" (350.84) H x
4 3/32" (103.98) D

Weight:

Weight (kg): 14.5 lbs. (6.6)

Input Connectors:

2x RGB Signal: DVI-I Female (Via 15-pin Converter)
2x DVI Signal: DVI-I Female (Combined with RGB)
3x Composite Signal: 7-pin Male Circular
1x Component Signal: 7-pin Male Circular
2x S-Video Signal: S-Video Socket
USB Connection: USB Type B Male (Proprietary Network)
GB Commander: 10-pin Male Circular
Power: 2-pin Male Circular

Each display is shipped with a set of interface cables. complete with 1 connector per cable rated @ NEMA 6 / IP67...

Menu Controls:

Via Remote GB Commander: OSD Picture Features:-
Size, Position, Colour & PIP

Approvals / Warranty

Compliance: CE: IEC609451 / CISPR22 / EN 55022
FCC: Part 15 Section 15.109

Limited Warranty: 3 Year

Ordering Codes

Standard Configuration:

19.0" Daylight Display: 21-1910
Please specify an external power supply from list below...

External Power Supply:

115/230V AC: 00-0301
12V DC: 00-0302
24V DC: 00-0303

Shipping Details:

Carton Size (cm): 23" (58) W x 22" (56) H x 11" (28) D
Weight (kg): 34 lbs. (15.5)

Canadian
Headquarters:

Nauticomp Inc.
8 Callaghan Road
Lindsay, Ontario,
Canada, K9V 4R4.
p: +1 705-328-2992
f: +1 705-328-2990

United Kingdom:

Nauticomp Europe Limited
Barham Court,
Teston, Maidstone, Kent
ME18 5BZ, United Kingdom
p: +44 (0) 1622 618707
f: +44 (0) 1622 735469

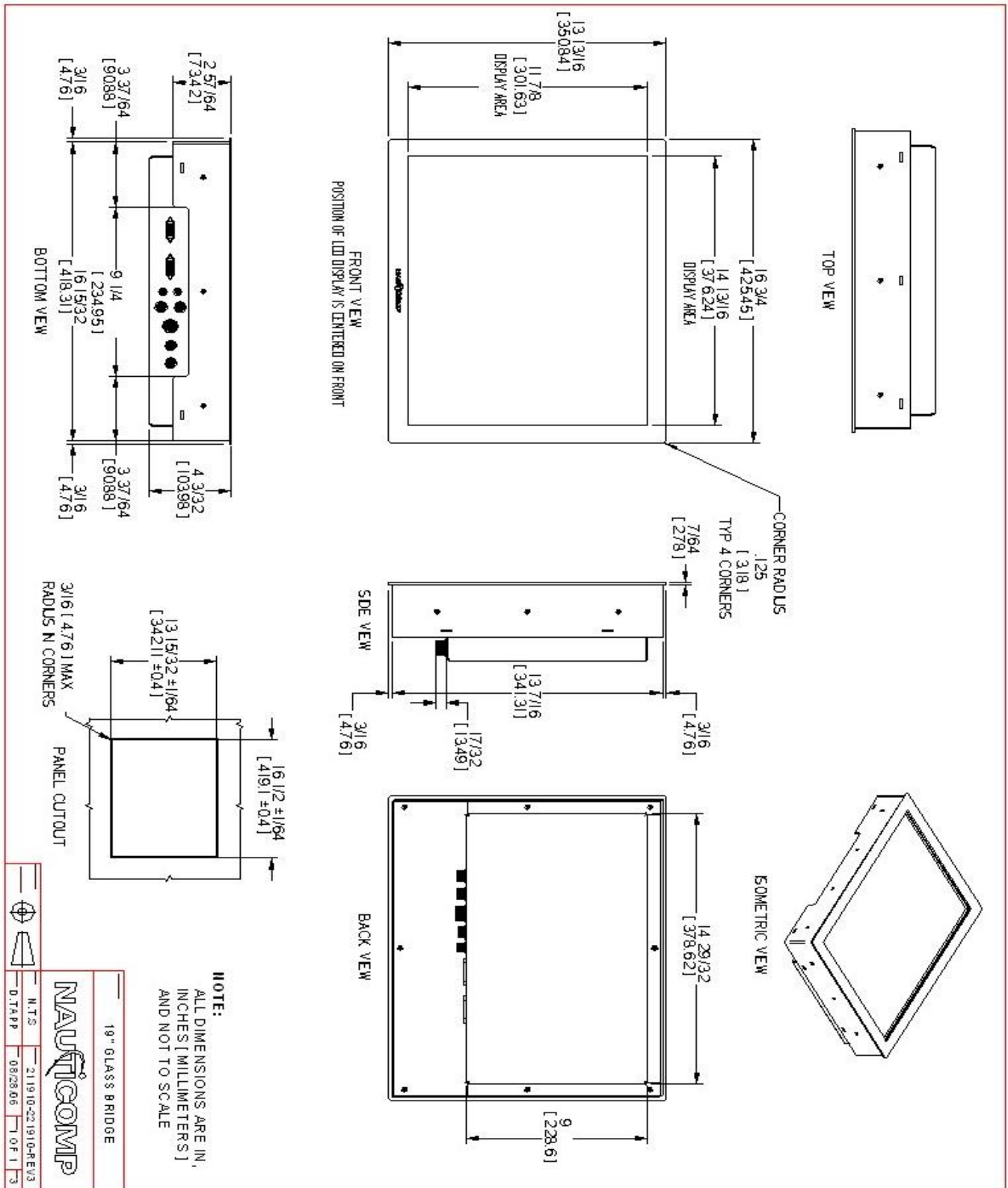
United States:

Nauticomp International
3886 SW 30th Avenue
Fort Lauderdale, Florida
United States 33312.
p: +1 954 235 4875
f: +1 705-328-2990

URL: www.nauticomp.com E-Mail: sales@nauticomp.com

Due to a policy of continuous product development NAUTICOMP reserves the right to change specifications and descriptions without prior notification. All trade marks acknowledged.

Mechanical Specifications



Canadian Headquarters:

Nauticomp Inc.
 8 Callaghan Road
 Lindsay, Ontario,
 Canada, K9V 4R4.
 p: +1 705-328-2992
 f: +1 705-328-2990

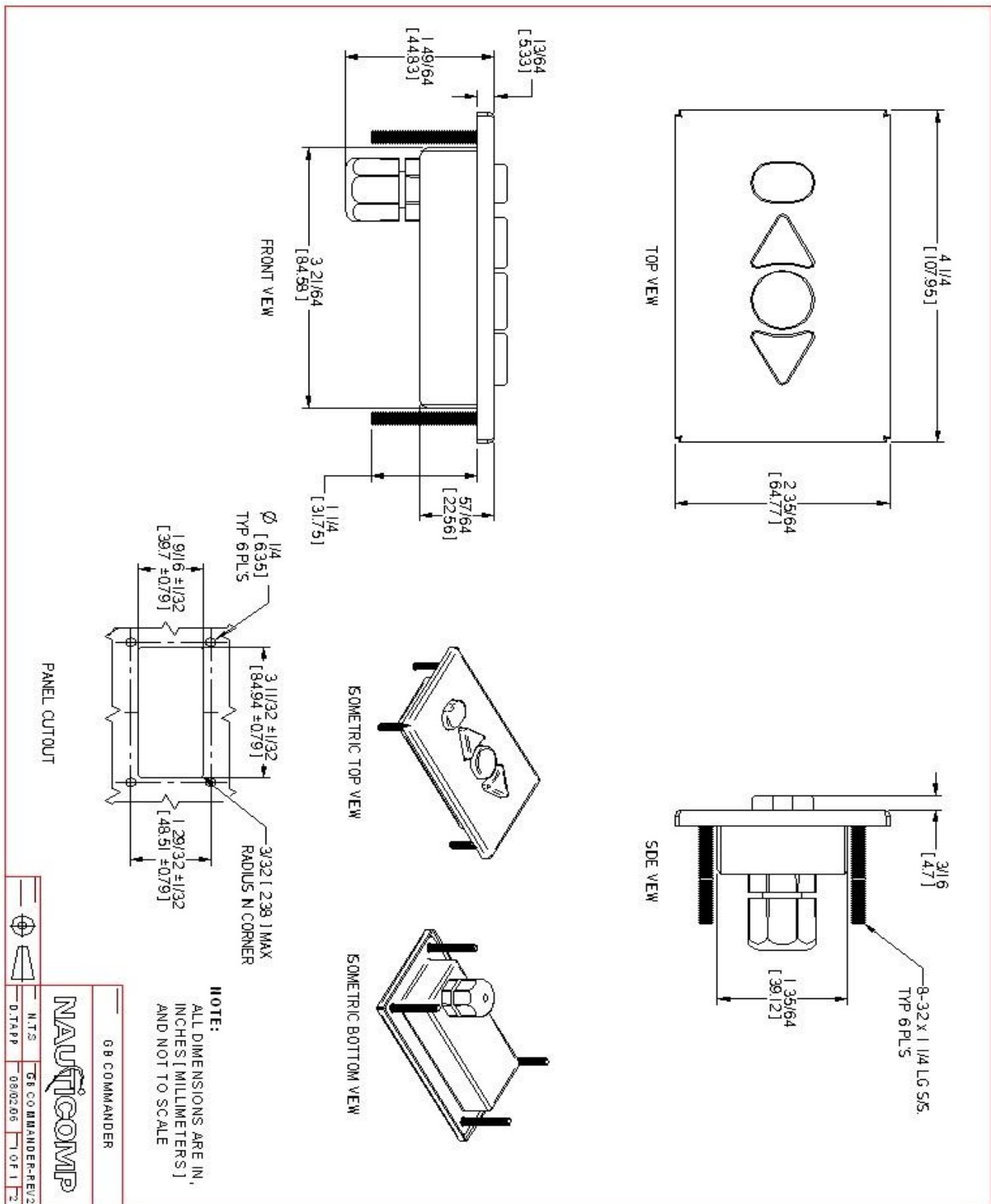
United Kingdom:

Nauticomp Europe Limited
 Barham Court,
 Teston, Maidstone, Kent
 ME18 5BZ, United Kingdom
 p: +44 (0) 1622 618707
 f: +44 (0) 1622 735469

United States:

Nauticomp International
 3886 SW 30th Avenue
 Fort Lauderdale, Florida
 United States 33312.
 p: +1 954 235 4875
 f: +1 705-328-2990

Remote GB Commander (Menu Control)



Canadian Headquarters:

Nauticomp Inc.
 8 Callaghan Road
 Lindsay, Ontario,
 Canada, K9V 4R4.
 p: +1 705-328-2992
 f: +1 705-328-2990

United Kingdom:

Nauticomp Europe Limited
 Barham Court,
 Teston, Maidstone, Kent
 ME18 5BZ, United Kingdom
 p: +44 (0) 1622 618707
 f: +44 (0) 1622 735469

United States:

Nauticomp International
 3886 SW 30th Avenue
 Fort Lauderdale, Florida
 United States 33312.
 p: +1 954 235 4875
 f: +1 705-328-2990