

## 19.0" Sunlight Glass Bridge Display<sup>®</sup>

### Electrical Description

#### Display Characteristics:

Type: 19.0" Active Matrix TFT  
Dot Number: 1280 x 1024 Pixels  
Dot Pitch: 0.294mm  
Response Time: 25ms Average- Typical  
Contrast Ratio: 900:1 Min.  
Brightness / Light Intensity: Enhanced to 900cd/m<sup>2</sup> (Nits)- Typical  
Viewing Angles (at CR>10): 85° Left/Right, 85° Up & 85° Down  
Backlight Life: 25,000 Hours- Typical  
Colour Depth: 16.7 Million (Depending on Graphics Card)

#### Dimming Circuit:

Range: Full on to 2 cd/m<sup>2</sup> (Nits)- Approx. w/Red

#### DVI-I Input:

Analog Interface: 330 MHz Max. Analog Bandwidth  
0.5V to 1.0V Analog Input Range  
Sync-on-Green (-ve) 0.3V

Digital Interface: DVI 1.0 Compatible Interface  
108 MHz Operation

#### Synchronisation Range:

Horizontal Scan: 31 - 80 kHz\*  
Vertical Scan: 56 - 85 Hz\*  
*\*Depending on resolution*

#### Resolutions:

VESA Support for: 1280 X 1024 SXGA\*  
1024 x 768 XGA  
800 x 600 SVGA  
640 x 480 VGA

*\*Recommended for optimised resolution...*

#### Active Display Area:

Active Display Area: 376.24 mm x 301.63 mm

#### Composite Video Input:

PAL, NTSC & SECAM with 'Picture In Picture' PIP Facility

#### Input Voltage:

DC Input: 12.4V DC Regulated  
*Via external power supply - Refer to ordering codes...*

#### Power Consumption:

4.75 A (59 W) Max.

#### Environmental:

\*Operating Temp: 32 to +131°F / 0 to +55°C  
Storage Temp: -4 to +140°F / -20 to +61°C  
Operating Humidity: 30% to 90% (Non-Condensing)  
Storage Humidity: 10% to 90% (Non-Condensing)  
Shock: 10g, 11msec ½ Sine Wave  
Vibration: +/-1mm, 2 to 13Hz: 0.7g 13 to 100 Hz

*\*We DO NOT recommend routine operation @ extreme temperatures...*

### Mechanical Description

#### Construction:

Finish: Black Fine Textured Semi Gloss Powder Coat  
Housing: Preformed Aluminium  
Sealing: Waterproof NEMA 6 / IP67  
Toughened Safety Glass: Bonded, Contrast Enhancing, Optically Coated and Polarized  
Ventilation: Convection

#### Mounting Style:

Console/Flush Mount: Via Adjustable Fixing Brackets Which Locate in Machined Slots Positioned Around the Housing  
Panel Cut-Out Size (mm): 16 1/2" (419.10) x 13 15/32" (342.11)

#### Dimensions:

Display (mm): 16 3/4" (425.45) W x  
13 13/16" (350.84) H x  
4 3/32" (103.98) D

#### Weight:

Weight (kg): 14.5 lbs. (6.6)

#### Input Connectors:

2x RGB Signal: DVI-I Female (Via 15-pin Converter)  
2x DVI Signal: DVI-I Female (Combined with RGB)  
3x Composite Signal: 7-pin Male Circular  
1x Component Signal: 7-pin Male Circular  
2x S-Video Signal: S-Video Socket  
USB Connection: USB Type B Male (Proprietary Network)  
GB Commander: 10-pin Male Circular  
Power: 2-pin Male Circular

*Each display is shipped with a set of interface cables. complete with 1 connector per cable rated @ NEMA 6 / IP67...*

#### Menu Controls:

Via Remote GB Commander: OSD Picture Features:-  
Size, Position, Colour & PIP

### Approvals / Warranty

**Compliance:** CE: IEC609451 / CISPR22 / EN 55022  
FCC: Part 15 Section 15.109

**Limited Warranty:** 3 Year

### Ordering Codes

#### Standard Configuration:

19.0" Sunlight Display: 22-1910  
*Please specify an external power supply from list below...*

#### External Power Supply:

115/230V AC: 00-0301  
12V DC: 00-0302  
24V DC: 00-0303

#### Shipping Details:

Carton Size (cm): 23" (58) W x 22" (56) H x 11" (28) D  
Weight (kg): 34 lbs. (15.5)

Canadian  
Headquarters:

**Nauticomp Inc.**  
8 Callaghan Road  
Lindsay, Ontario,  
Canada, K9V 4R4.  
p: +1 705-328-2992  
f: +1 705-328-2990

United Kingdom:

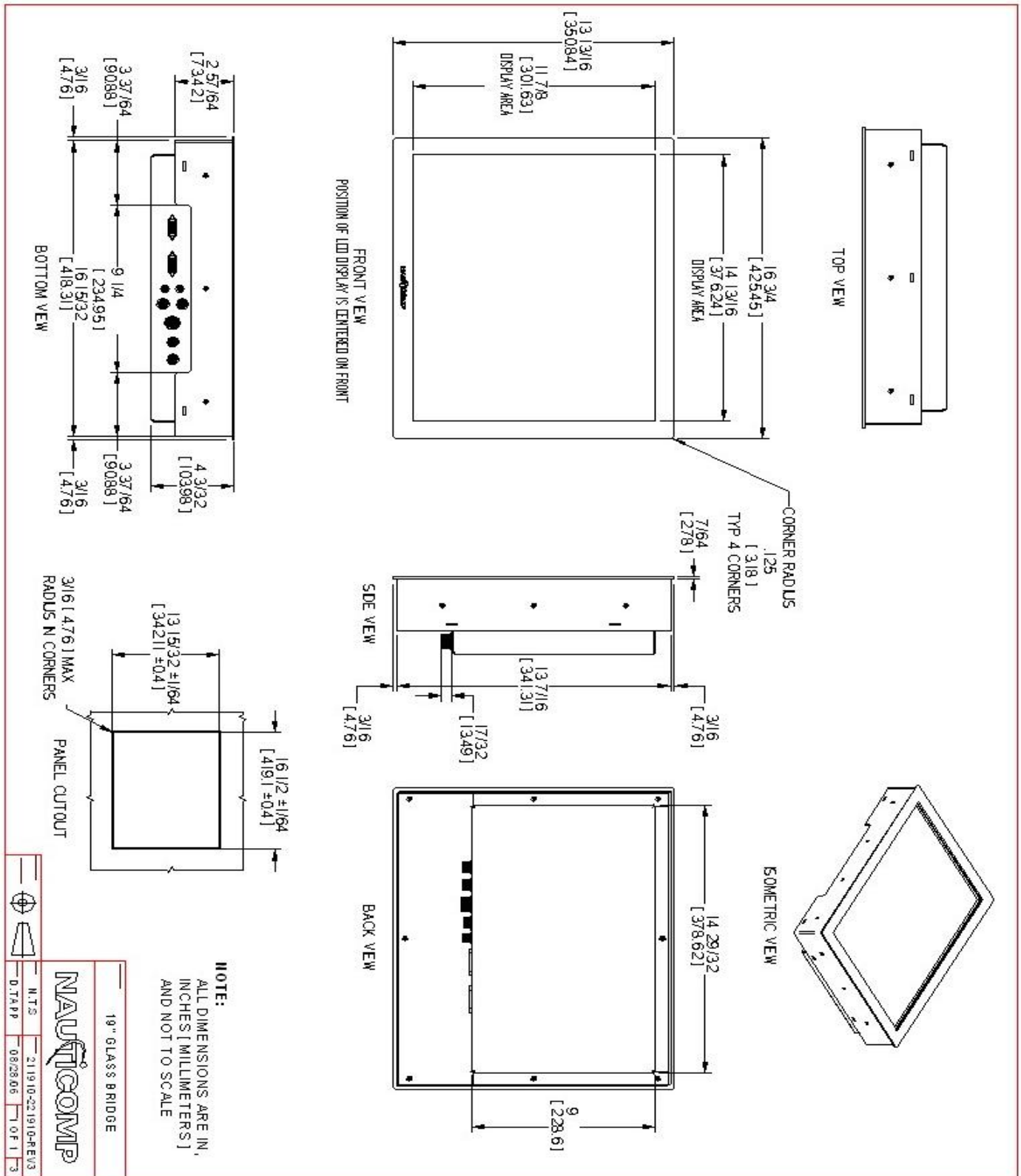
**Nauticomp Europe Limited**  
Barham Court,  
Teston, Maidstone, Kent  
ME18 5BZ, United Kingdom  
p: +44 (0) 1622 618707  
f: +44 (0) 1622 735469

United States:

**Nauticomp International**  
3886 SW 30th Avenue  
Fort Lauderdale, Florida  
United States 33312.  
p: +1 954 235 4875  
f: +1 705-328-2990

URL: [www.nauticomp.com](http://www.nauticomp.com) E-Mail: [sales@nauticomp.com](mailto:sales@nauticomp.com)

## Mechanical Specifications



Canadian  
 Headquarters:

**Nauticomp Inc.**  
 8 Callaghan Road  
 Lindsay, Ontario,  
 Canada, K9V 4R4.  
 p: +1 705-328-2992  
 f: +1 705-328-2990

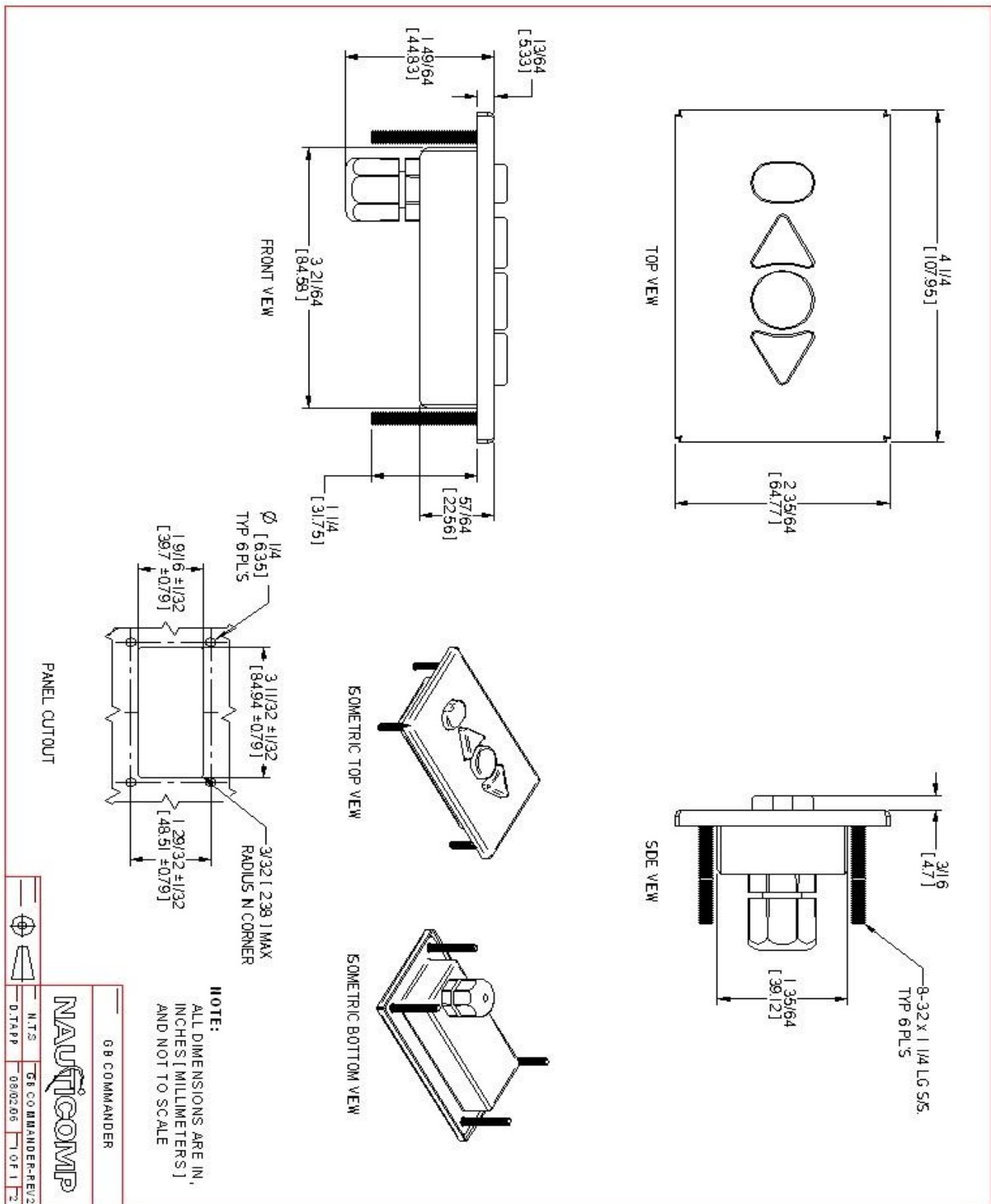
United Kingdom:

**Nauticomp Europe Limited**  
 Barham Court,  
 Teston, Maidstone, Kent  
 ME18 5BZ, United Kingdom  
 p: +44 (0) 1622 618707  
 f: +44 (0) 1622 735469

United States:

**Nauticomp International**  
 3886 SW 30th Avenue  
 Fort Lauderdale, Florida  
 United States 33312.  
 p: +1 954 235 4875  
 f: +1 705-328-2990

## Remote GB Commander (Menu Control)



Canadian Headquarters:

**Nauticomp Inc.**  
 8 Callaghan Road  
 Lindsay, Ontario,  
 Canada, K9V 4R4.  
 p: +1 705-328-2992  
 f: +1 705-328-2990

United Kingdom:

**Nauticomp Europe Limited**  
 Barham Court,  
 Teston, Maidstone, Kent  
 ME18 5BZ, United Kingdom  
 p: +44 (0) 1622 618707  
 f: +44 (0) 1622 735469

United States:

**Nauticomp International**  
 3886 SW 30th Avenue  
 Fort Lauderdale, Florida  
 United States 33312.  
 p: +1 954 235 4875  
 f: +1 705-328-2990