

12.1" Signature Series II Display

Electrical Description

Display Characteristics:

Type: 12.1" Active Matrix TFT
Dot Number: 1024 x 768 Pixels
Dot Pitch: 0.240mm
Response Time: 23ms Average - Typical
Contrast Ratio: 700:1 - Typical
Brightness/Light Intensity: 600 cd/m² (Enhanced for Sunlight Readability)
Viewing Angles (at CR>10): 80° Left/Right, 80° Up/Down
Backlight Life: 50,000 Hours - Typical
Colour Depth: 16.7 Million (Depending on Graphics Card)

Dimming:

Range: Full Brightness to Black + "Dim to Red" Functionality

DVI-D Input:

Digital Interface: DVI 1.0 Compatible Interface
85 Hz Operation

Analog RGB Input:

Analog Interface: 85 Hz Maximum Analog Bandwidth
0.5V to 1.0V Analog Input Range
Sync-on-Green (-ve) 0.3V

Composite Video Input:

Composite Interface: PAL, NTSC & SECAM with 'Picture In Picture' PIP Facility

Synchronisation Range:

Horizontal Scan¹: 31.469 ~ 79.976 kHz
Vertical Scan¹: 56 ~ 87 Hz
Note 1) Dependent on resolution

Resolutions:

VESA Support for: 1280 x 1024 SXGA
1024 x 768 XGA (Optimised resolution)
800 x 600 SVGA
640 x 480 VGA

Active Display Area:

Active Display Area: 245.76 mm x 184.32 mm

Input Voltage:

DC Input²: 12.4V DC Regulated
Note 2) Refer to section titled Ordering Codes

Power Consumption:

1.8 A (23 W) Max.

Environmental:

Operating Temperature³: 32 ~ +131°F / 0 ~ +55°C
Storage Temperature: -4 ~ +140°F / -20 ~ +61°C
Operating Humidity: 30% ~ 90% (Non-Condensing)
Storage Humidity: 10% ~ 90% (Non-Condensing)
Shock: 10g, 11msec ½ Sine Wave
Vibration: +/-1mm, 2 to 13Hz:0.7g 13 to 100Hz
Note 3) We DO NOT recommend routine operation @ extreme temperatures

Mechanical Description

Construction:

Finish: Black Fine Textured Semi Gloss Powder Coat
Housing: Preformed Aluminium
Sealing: Waterproof NEMA 6 / IP67
Toughened Safety Glass: Bonded, Contrast Enhancing and Optically Coated
Ventilation: Convection

Mounting Style:

Surface Mount (mm) or VESA: Height from surface 1.275" (32.37)
Fastened with x4 8-32 Mtg Studs
Panel Cut-Out (mm): 10.262" (260.66) W x 7.783" (197.70) H

Dimensions:

Display (mm): 12.963" (329.26) W x 9.080" (230.64) H x 3.200" (81.28) D

Weight:

Weight (kg): 10 lbs (4.6)

Input Connectors:

RGB Signal (x2 Sources): 15 Pin Male Circular (x2)
DVI Signal: 19 Pin Male Circular
Composite Signal (x3 Sources): 6 Pin Male Circular
Power: 2 Pin Male Circular
Display supplied with a set of interface cables 1 connector per cable rated @ NEMA 6 / IP67

User Controls:

Via Front Panel Keypad: Up, Down, OSD Menu, "Dim to RED" & On/Off
Backlight Brightness: Front Panel Knob (Potentiometer)

Shipping:

Carton Size (cm): 21" (53) W x 20" (51) H x 10" (25) D
Weight (kg): 26 lbs (12)

Standards / Warranty

Compliance:

'Designed to Comply': CE, CISPR22, EN 55022, IEC 60945 & FCC Part 15 Section 15.109

Limited Warranty:

Warranty Period: 3 Year

Ordering Codes

Configuration:

12.1" Signature II Display: 26-1210

External Power Supply:

115/230V AC Input: 00-0301
12V DC Input: 00-0302
24V DC Input: 00-0303

Note: Each External Power Supply is regulated to provide 12.4V DC Output

Canadian Headquarters: **Nauticomp Inc.**
8 Callaghan Road
Lindsay, Ontario,
Canada, K9V 4R4.
p: +1 705 328 2992
f: +1 705 328 2990

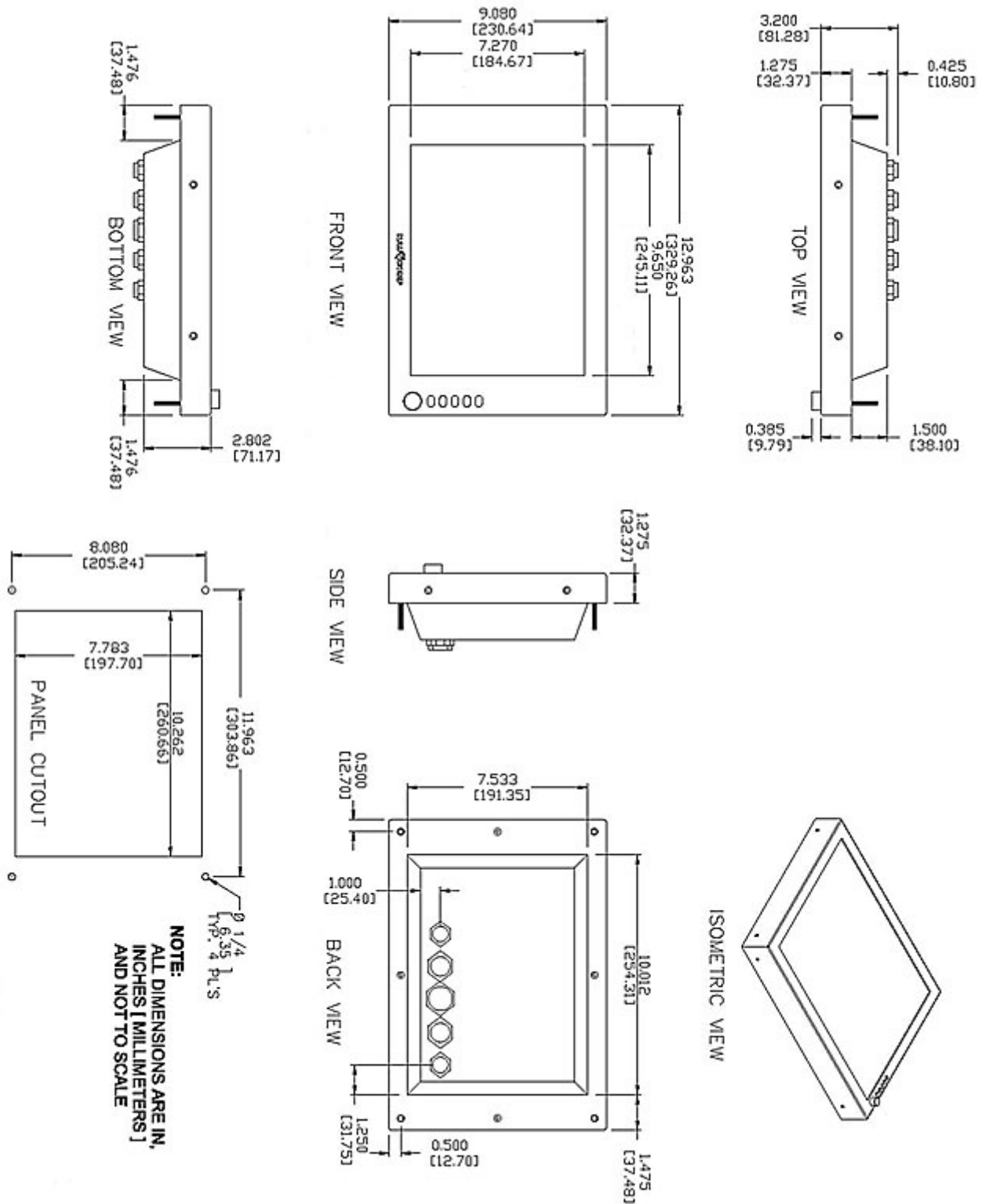
United Kingdom: **Nauticomp Europe Limited**
Barham Court,
Teston, Maidstone, Kent
ME18 5BZ, United Kingdom
p: +44 1622 618 707
f: +44 1622 735 469

United States: **Nauticomp International**
3886 SW 30th Avenue
Fort Lauderdale, Florida
United States 33312.
p: +1 954 235 4875
f: +1 705 328 2990

URL: www.nauticomp.com E-Mail: sales@nauticomp.com

Due to a policy of continuous product development NAUTICOMP reserves the right to change specifications and descriptions without prior notification. All trade marks acknowledged.

12.1" Signature Series II Display



Canadian Headquarters:
Nauticomp Inc.
 8 Callaghan Road
 Lindsay, Ontario,
 Canada, K9V 4R4.
 p: +1 705 328 2992
 f: +1 705 328 2990

United Kingdom:
Nauticomp Europe Limited
 Barham Court,
 Teston, Maidstone, Kent
 ME18 5BZ, United Kingdom
 p: +44 1622 618 707
 f: +44 1622 735 469

United States:
Nauticomp International
 3886 SW 30th Avenue
 Fort Lauderdale, Florida
 United States 33312.
 p: +1 954 235 4875
 f: +1 705 328 2990

URL: www.nauticomp.com E-Mail: sales@nauticomp.com

Due to a policy of continuous product development NAUTICOMP reserves the right to change specifications and descriptions without prior notification. All trade marks acknowledged.